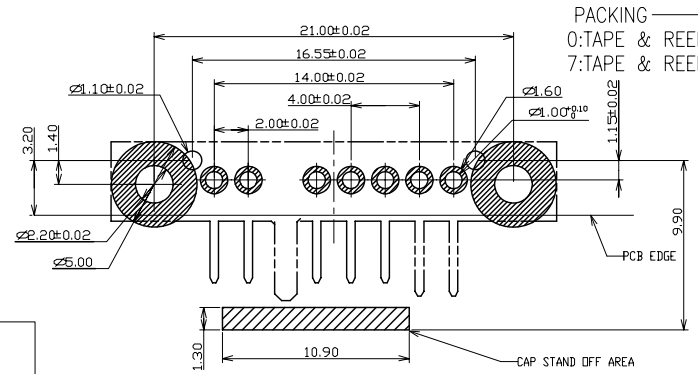
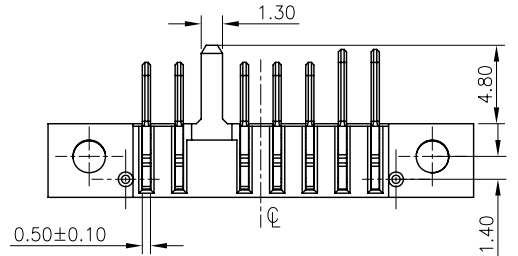
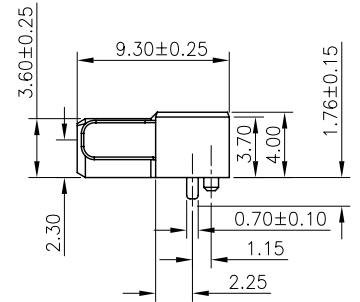
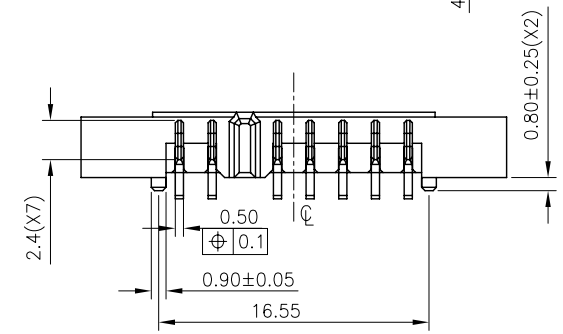
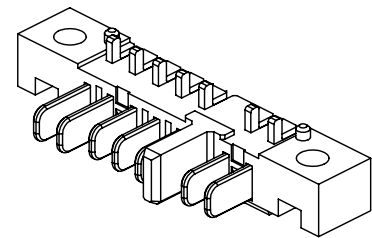
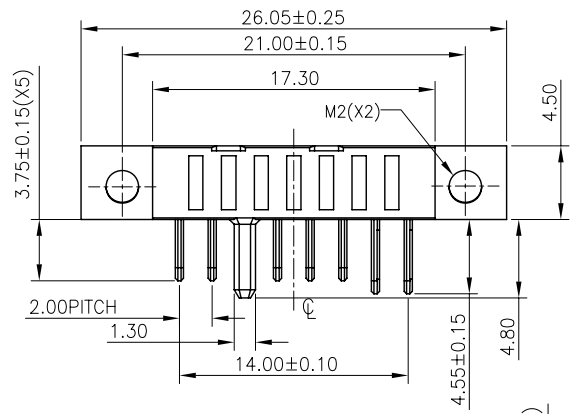




A B C D E F



- NOTES:
- MATERIAL:
 - HOUSING: THERMOPLASTIC, HIGH TEMP.,UL94V-0.
 - CONTACT: COPPER ALLOY.
 - FORK: COPPER ALLOY.
 - NUT: COPPER ALLOY.
 - FINISH:
 - CONTACT:
 - GOLD FLASH PLATED ON CONTACT AND SOLDER TAIL AREA, P: 10u' GOLD PLATED ON CONTACT AND GOLD FLASH PLATED ON SOLDER
 - T: 20u' GOLD PLATED ON CONTACT AND GOLD FLASH PLATED ON SOLDER
 - D: 30u' GOLD PLATED ON CONTACT AND GOLD FLASH PLATED ON SOLDER
 - Y: 2u" Au+30u"NiPb PLATED ON CONTACT AND GOLD FLASH PLATED ON SOLDER NICKEL UNDERPLATING OVERALL.
 - FORK:
 - MATTE TIN PLATED OVERALL, NICKEL UNDERPLATING OVERALL.
 - NUT:
 - NICKEL UNDERPLATING OVERALL.
 - REFLOW SOLDER CAPABLE TO 260°C PER ACES SPEC.
 - SPEC.PLS REFER TO PS-54975-XXXX-XXX
 - PACKAGE PLS REFER TO 54974-XXXX-XX-TRP
 - PART NUMBER

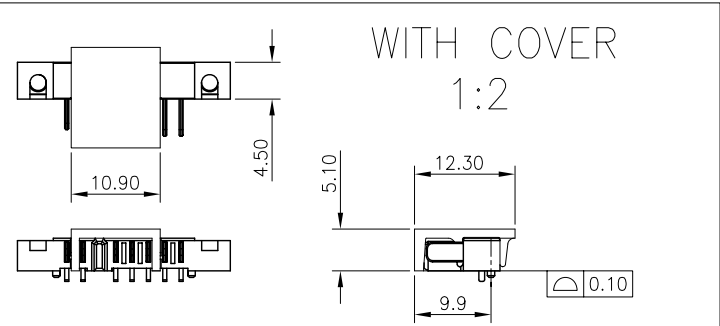
54974-007 X X-XXX

CKTS

XXX	Housing Color
001	Black

PACKING
0:TAPE & REEL
7:TAPE & REEL WITH COVER

PLATING
2: GOLD FLASH PLATED ON CONTACT AND SOLDER TAIL AREA
P: 10u' GOLD PLATED ON CONTACT AND GOLD FLASH PLATED ON SOLDER
T: 20u' GOLD PLATED ON CONTACT AND GOLD FLASH PLATED ON SOLDER
D: 30u' GOLD PLATED ON CONTACT AND GOLD FLASH PLATED ON SOLDER
Y: 2u" Au+30u"NiPb PLATED ON CONTACT AND GOLD FLASH PLATED ON SOLDER



RECOMMENDED P.C.B. LAYOUT
TOLERANCE ±0.05 mm

一般公差 TOLERANCES X: ±0.5 XX: ±0.15 Y: ±0.25 XXX: ±0.1 ANGLES ±2°		宏致電子股份有限公司 Aces Electronics Co.,Ltd.	
檢驗尺寸標示 SYMBOLS INDICATE CLASSIFICATION DIMENSION MARK IS CRITICAL DIM. MARK IS MAJOR DIM.	品名 (TITLE) 2.00mm Battery Conn. Male DIP R/A Type H=4.0	製圖 (DR) 16'/08/16 LI JIN 審核 (CHKD) BRAVE	圖號 (DWG NO.) 54974-XXXX-XXX 核准 (APPD) FRANK
表面處理 (FINISH)	比例 (SCALE) 4:1	單位 (UNITS) mm	張數 (SHEET) 1 OF 1 SIZE A4 REV A

A B C D E F